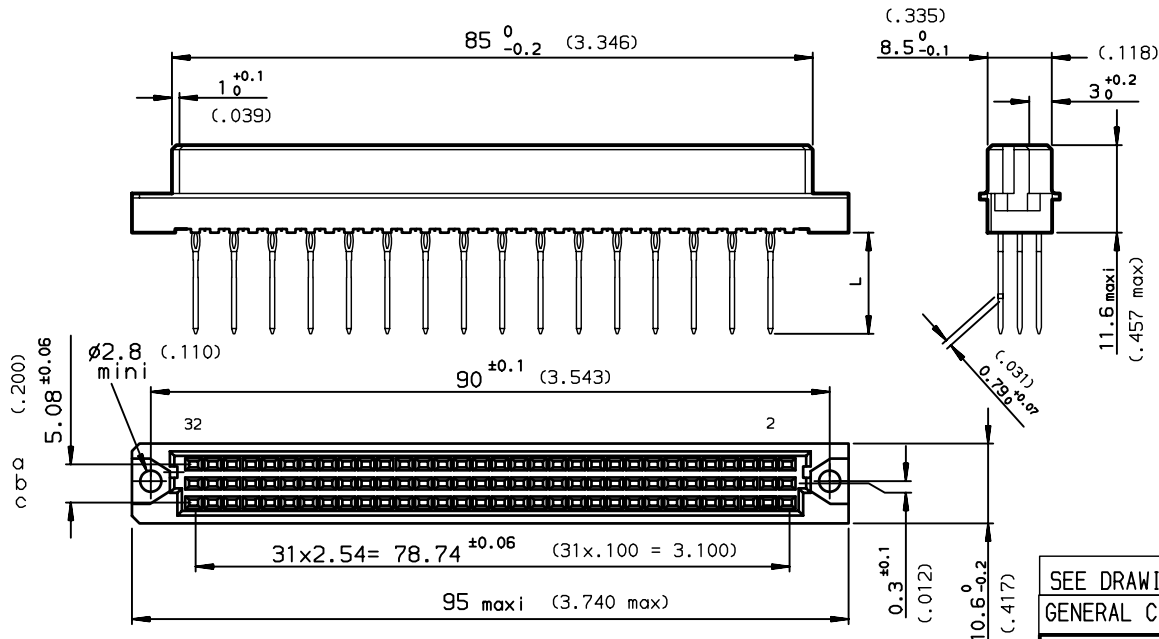
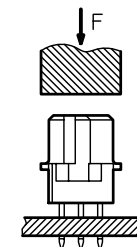


DIMENSIONS mm (inches)



METHOD OF INSERTION  
ON THE PCB = FLAT ROCK



SEE DRAWING C-8609-0000C

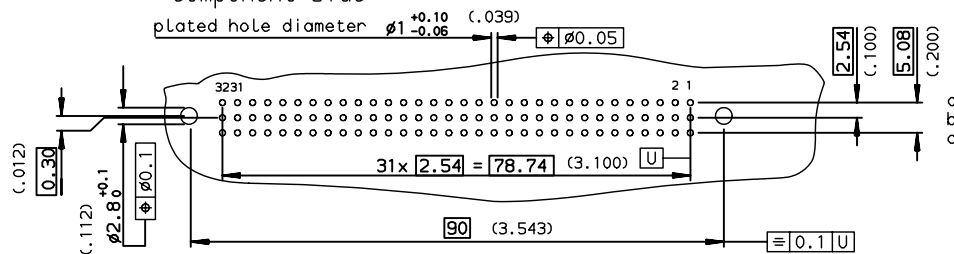
GENERAL CHARACTERISTICS AND ROHS INFORMATIONS:

European Views

PART NUMBER	8609			81		7		8	
PIN OUT									
rows a-b-c				3		48			
rows a-c				4		32			
NUMBER OF CONTACTS									
TERMINATION									
L = 13.10 ±0.20 (.515)				1 wrap				91	
L = 17.10 ±0.20 (.673)				2 wraps				92	
L = 3.00 ±0.20 (.118)				short post				94	
PERFORMANCE CLASS									
DIN 41612 class 3									4
DIN 41612 class 2									5
DIN 41612 class 1									6
TERMINATION TYPE									
TIN LEAD									000E3
LEAD FREE									E3LF

PCB DRILLING

component side



rev	ecn no	dr	date
D	-	MAS	1999/08/05
E	LS05-004	JTA	2005/02/28
F	LS06-0095	LGO	2006/06/17
G	LS06-0171	HLG	2006/10/27
H	LS07-0051	HLG	2007/02/21
-	-	-	-
-	-	-	-

www.fciconnect.com		surface ISO 1302 ✓	tolerance std ISO 406 ISO 1101	projection mm
TOLERANCES UNLESS OTHERWISE SPECIFIED				
Dr	ROUILLARD	1994/11/14	ANGULAR	LINEAR
Eng	TARON	1994/11/14	0.X	±0.1
Chr	LEGARE	1994/11/14	0.XX	±0.1
Appr	LEGARE	1994/11/14	0.XXX	±0.1
Product family		DIN 8609		Spec ref -
title		STRAIGHT FEMALE - STYLE C		Rev.
catalog no		C-8609-0437		H
CUSTOMER		sheet 1 of 1		

REV F - 2006-04-17